

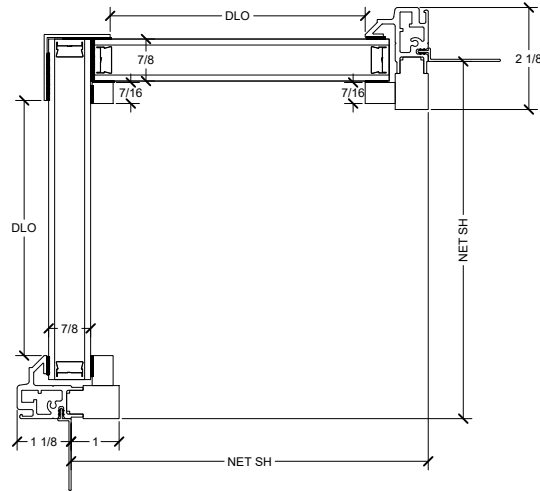
CLAD Corner Picture-Section Drawings

Section Details : No Post Corner Minimum 1" Jamb, Nail Fin	2
Section Details : No Post Corner 4 9/16" Jamb, Nail Fin	3
Section Details : No Post Corner 6 9/16" Jamb, Nail Fin	4
Section Details : Corner Post Minimum 1" Jamb, Nail Fin	5
Section Details : Corner Post 4 9/16" Jamb, Nail Fin	6
Section Details : Corner Post 6 9/16" Jamb, Nail Fin	7

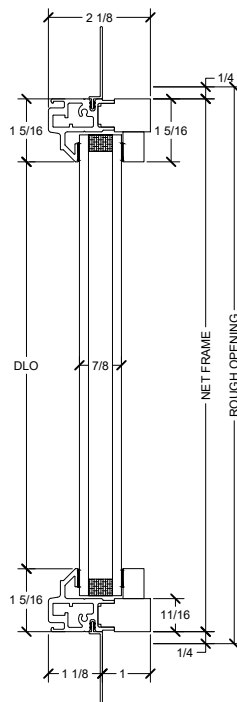
CLAD Corner Picture - Glass to Glass (No Post Corner)

Section Details : No Post Corner Minimum 1" Jamb, Nail Fin

SCALE: 3" = 1'-0"



Jamb

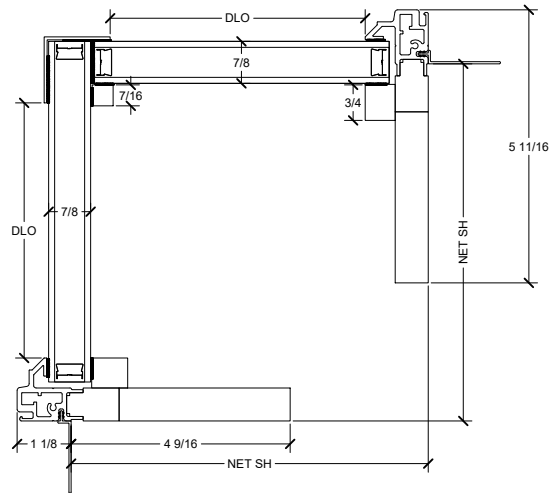


Head Jamb & Sill

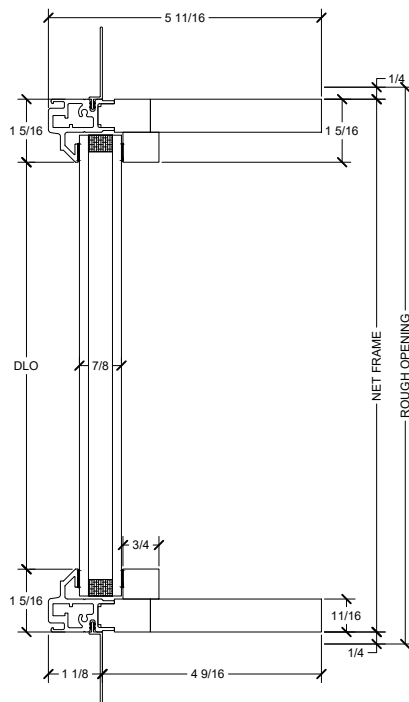
CLAD Corner Picture - Glass to Glass (No Post Corner)

Section Details : No Post Corner 4 9/16" Jamb, Nail Fin

SCALE: 3" = 1'-0"



Jambs

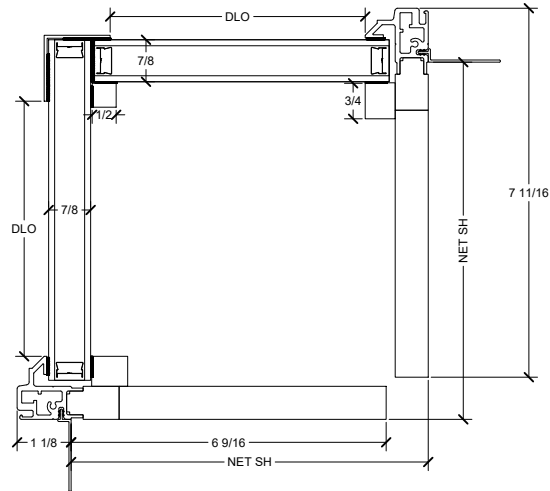


Head Jamb & Sill

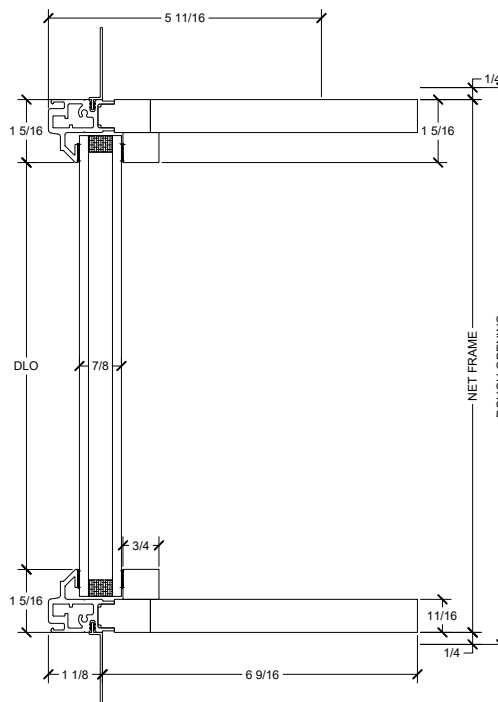
CLAD Corner Picture - Glass to Glass (No Post Corner)

Section Details : No Post Corner 6 9/16" Jamb, Nail Fin

SCALE: 3" = 1'-0"



Jambs

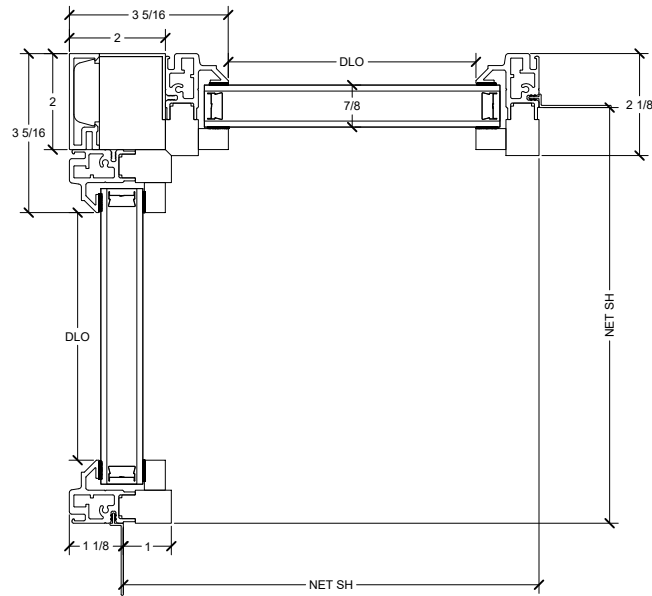


Head Jamb & Sill

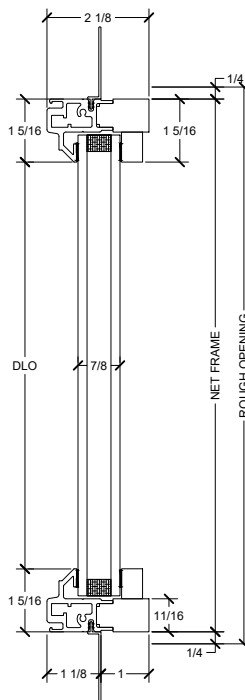
CLAD Corner Picture - Corner Post

Section Details : Corner Post Minimum 1" Jamb, Nail Fin

SCALE: 3" = 1'-0"



Jambs

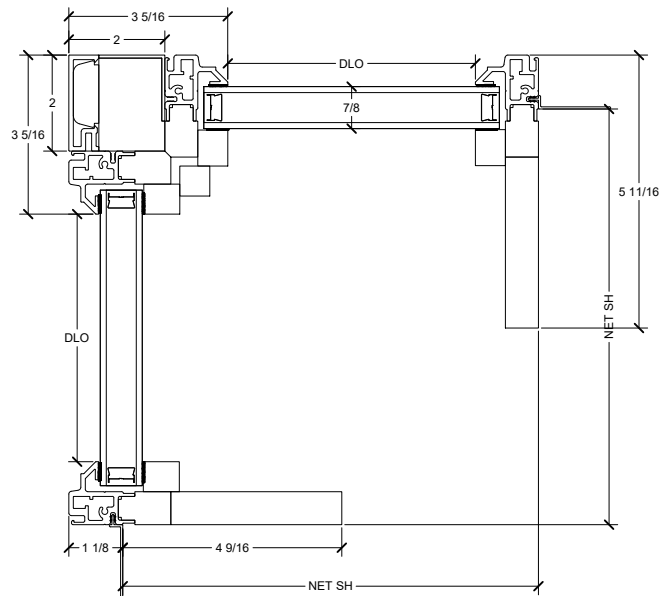


Head Jamb & Sill

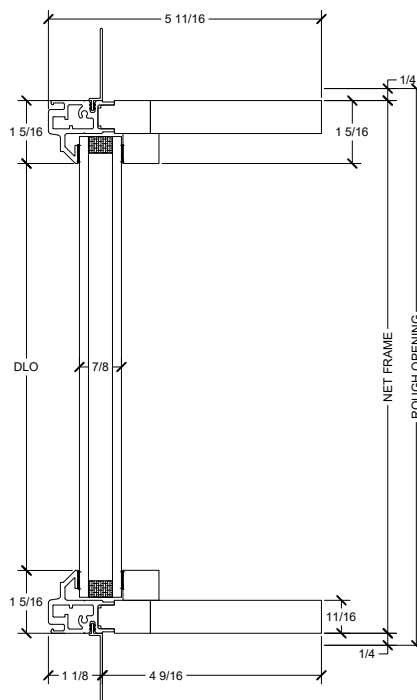
CLAD Corner Picture - Corner Post

Section Details : Corner Post 4 9/16" Jamb, Nail Fin

SCALE: 3" = 1'-0"



Jambs

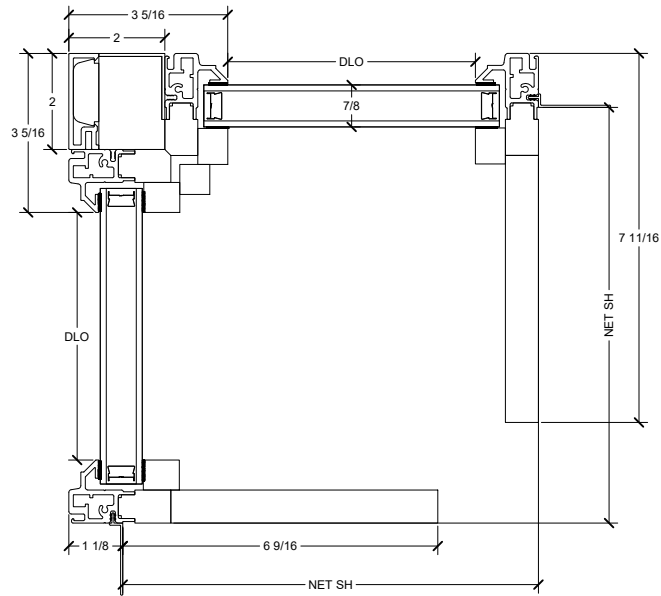


Head Jamb & Sill

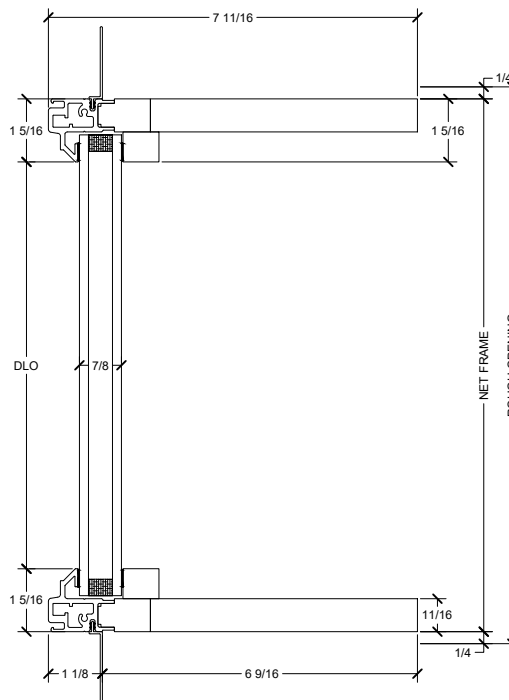
CLAD Corner Picture - Corner Post

Section Details : Minimum 1" Jamb, Nail Fin

SCALE: 3" = 1'-0"



Jamb



Head Jamb & Sill