

# CLAD Multi-Point Awning-Section Drawings



---

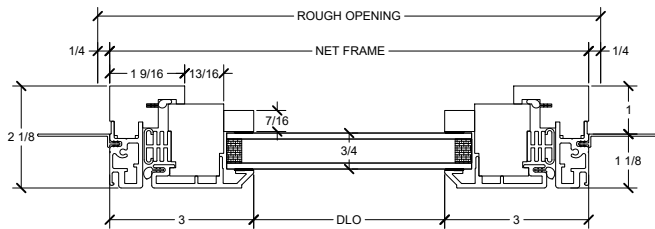
Section Details : Operating/Stationary, Minimum 1” Jamb, Nail Fin .....	2
Section Details : 4 9/16” Jamb, Nail Fin .....	3
Section Details : 6 9/16” Jamb, Nail Fin .....	4
Section Details : Big Bottom Rail .....	5
Section Details : SDL & Glazing Bead Options .....	6
Section Details : Mull Sections, Minimum 1” Jambs .....	7
Section Details : Mull Sections, Jambs Greater Than 1” .....	8

# CLAD Multi-Point Awning

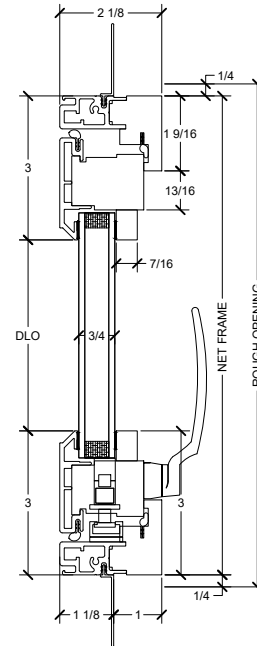
Section Details : Operating/Stationary, Minimum 1" Jamb, Nail Fin

SCALE: 3" = 1'-0"

Operating

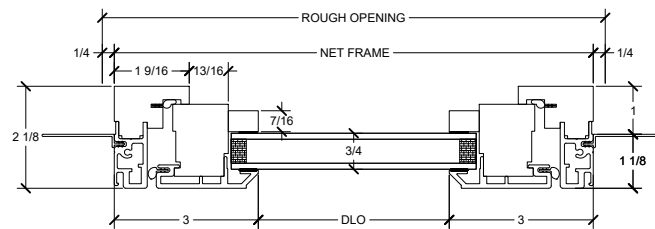


Jambs

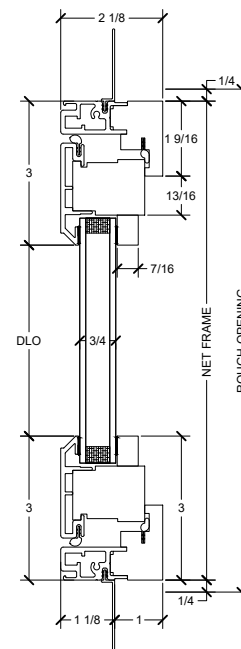


Head Jamb & Sill

Stationary



Jambs



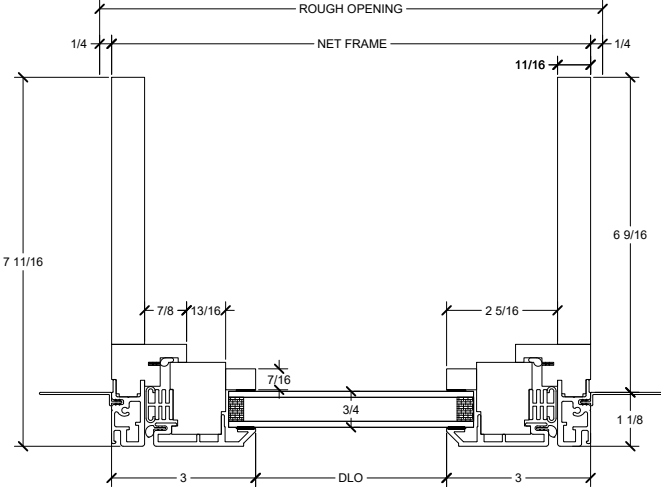
Head Jamb & Sill



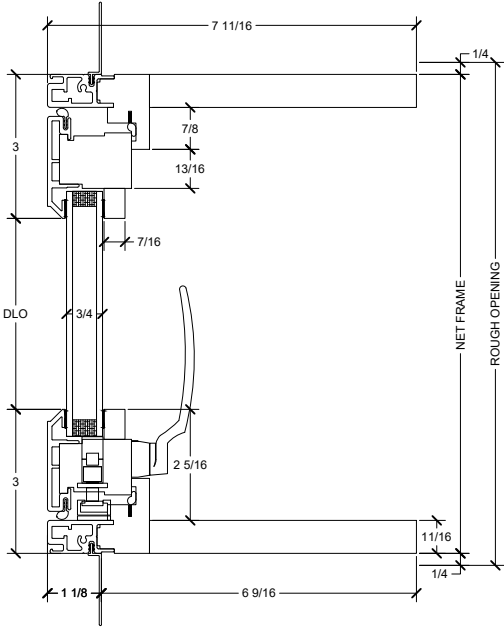
# CLAD Multi-Point Awning

## Section Details : 6 9/16" Jamb, Nail Fin

SCALE: 3" = 1'-0"



Jamb

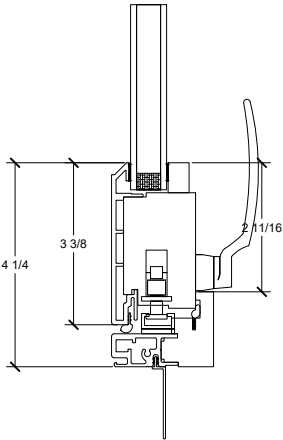


Head Jamb & Sill

# CLAD Multi-Point Awning

## Section Details : Big Bottom Rail

SCALE: 3" = 1'-0"

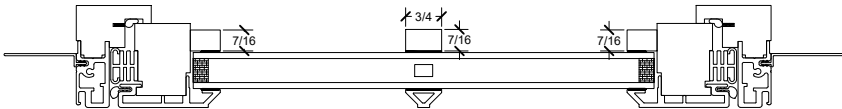


Big Bottom Rail

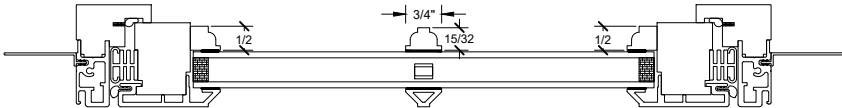
# CLAD Multi-Point Awning

## Section Details : SDL & Glaze Bead Options

SCALE: 3" = 1'-0"



Square Detail Interior SDL—Square Interior Glaze Bead/Bevel Bead Exterior



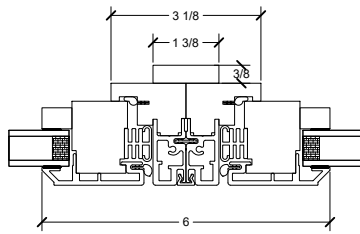
Long Bead Interior SDL—Long Bead Interior Glaze Bead/Bevel Bead Exterior

# CLAD Multi-Point Awning

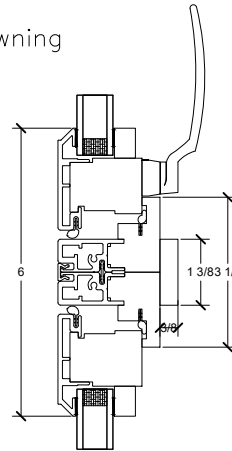
Section Details : Mull Sections, Minimum 1" Jamb

SCALE: 3" = 1'-0"

Mulling Clad Awning to Clad Awning

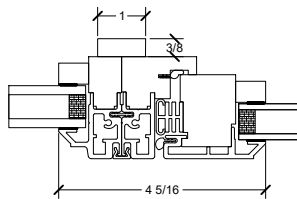


Vertical Mull

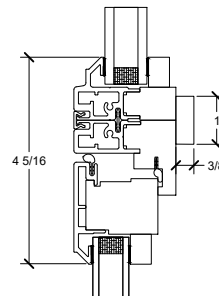


Horizontal Mull

Mulling Clad Picture (Minimum 1" Jamb) to Clad Awning (Minimum 1" Jamb)



Vertical Mull



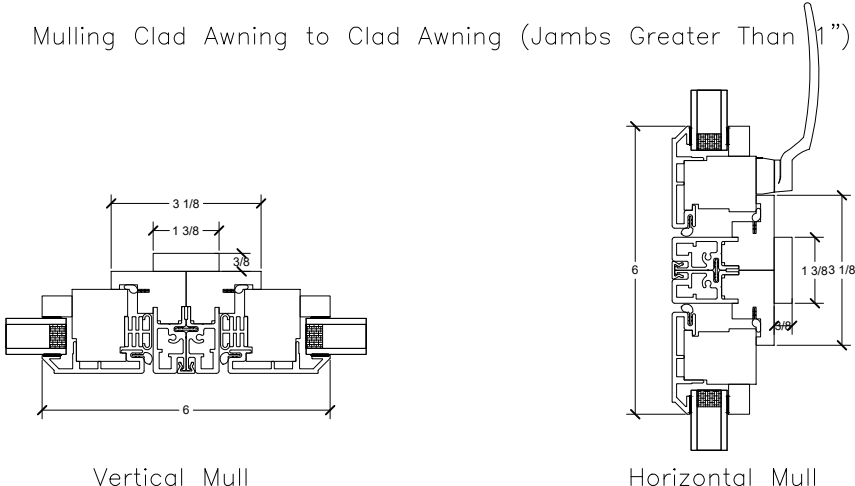
Horizontal Mull

# CLAD Multi-Point Awning

Section Details : Mull Sections, Jambs Greater Than 1"

SCALE: 3" = 1'-0"

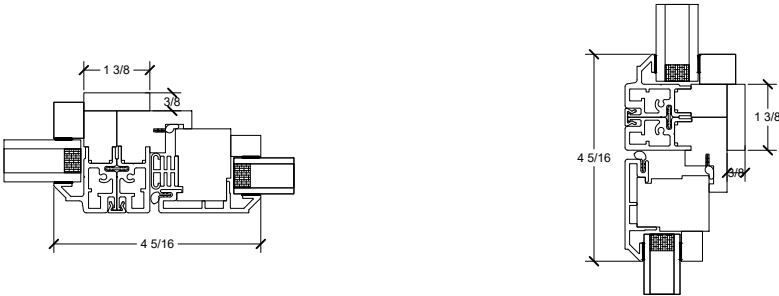
Mulling Clad Awning to Clad Awning (Jambs Greater Than 1")



Vertical Mull

Horizontal Mull

Mulling Clad Picture to Clad Awning (Jambs Greater Than 1")



Vertical Mull

Horizontal Mull