

CLAD Roto Awning-Section Drawings



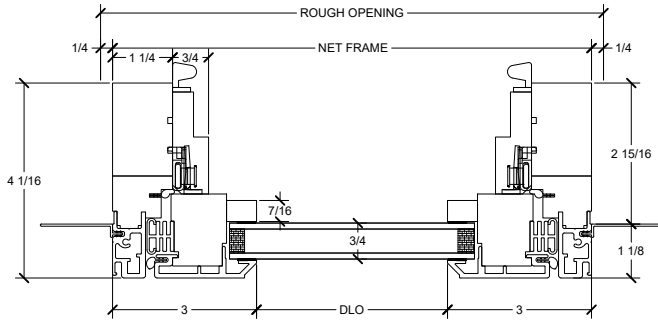
Section Details : Operating/Stationary, Minimum 2 15/16” Jamb, Nail Fin	2
Section Details : 4 9/16” Jamb, Nail Fin	3
Section Details : 6 9/16” Jamb, Nail Fin	4
Section Details : Big Bottom Rail	5
Section Details : SDL & Glazing Bead Options	6
Section Details : Mull Sections, All Jambs	7

CLAD Roto Awning

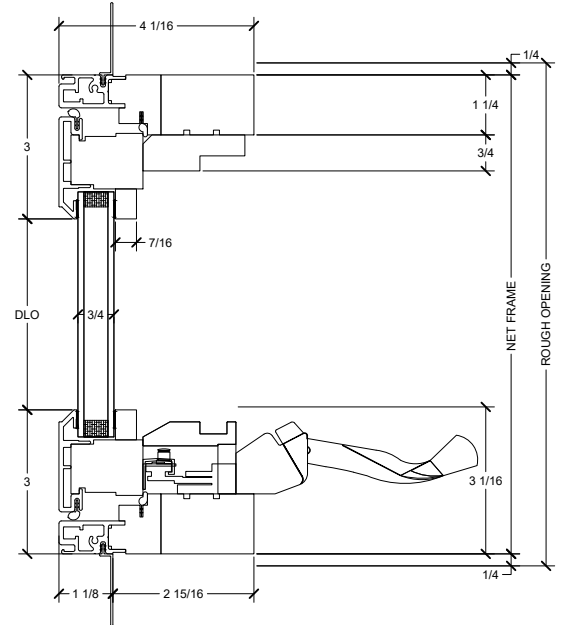
Section Details : Operating/Stationary, Minimum 2 $\frac{15}{16}$ " Jamb, Nail Fin

SCALE: 3" = 1'-0"

Operating

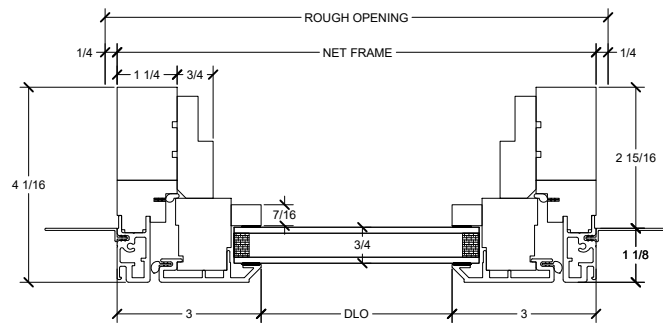


Jambs

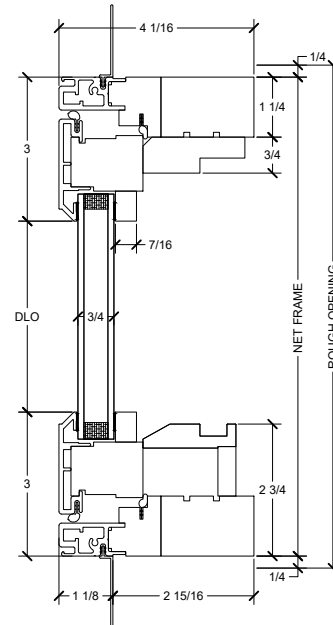


Head Jamb & Sill

Stationary



Jambs

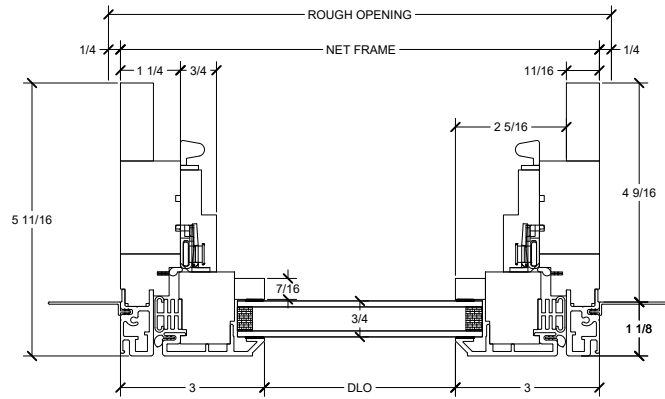


Head Jamb & Sill

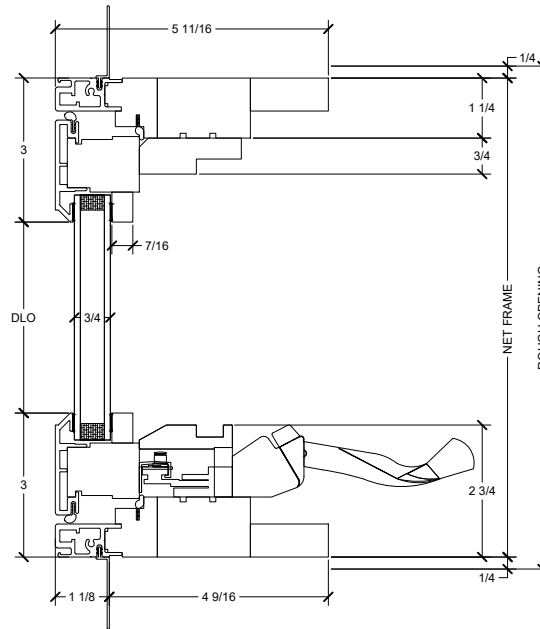
CLAD Roto Awning

Section Details : 4 9/16" Jamb, Nail Fin

SCALE: 3" = 1'-0"



Jambs

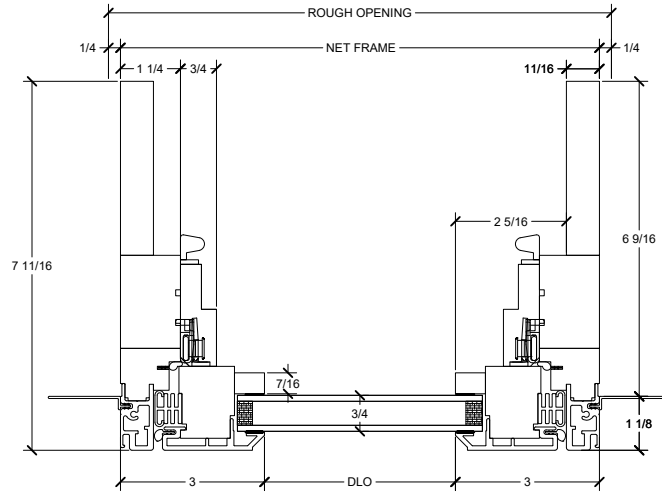


Head Jamb & Sill

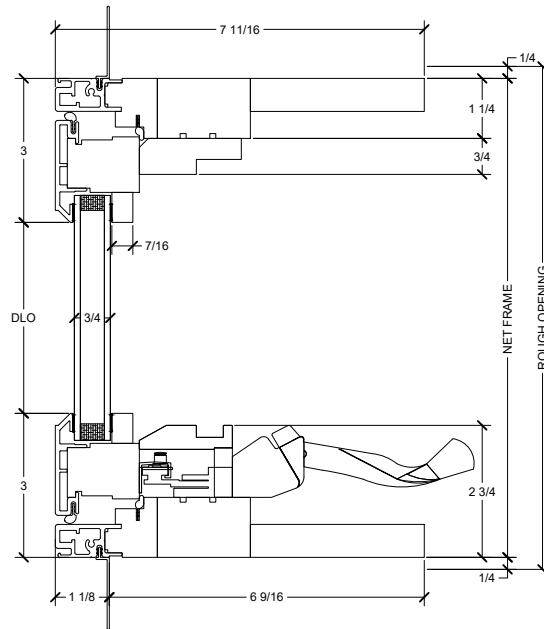
CLAD Roto Awning

Section Details : 6 9/16" Jamb, Nail Fin

SCALE: 3" = 1'-0"



Jambs

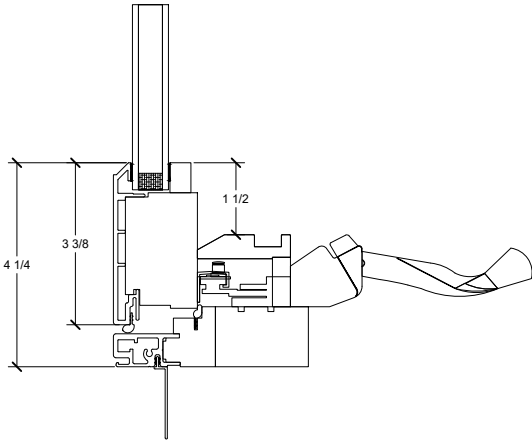


Head Jamb & Sill

CLAD Roto Awning

Section Details : Big Bottom Rail

SCALE: 3" = 1'-0"

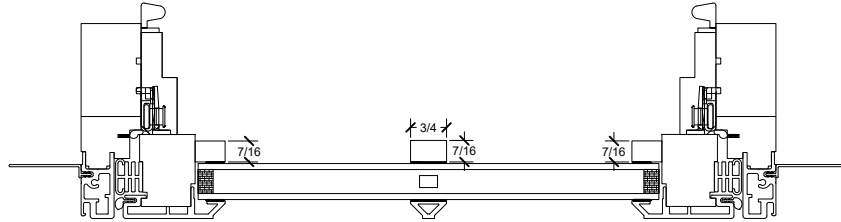


Big Bottom Rail

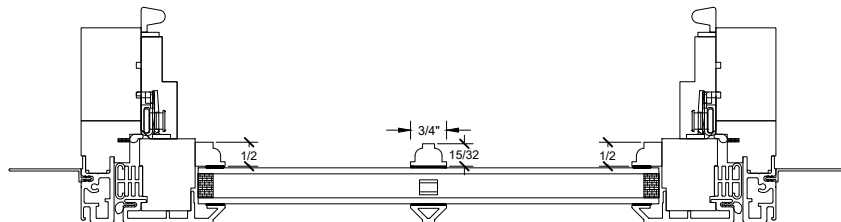
CLAD Roto Awning

Section Details : SDL & Glaze Bead Options

SCALE: 3" = 1'-0"



Square Detail Interior SDL—Square Interior Glaze Bead/Bevel Bead Exterior



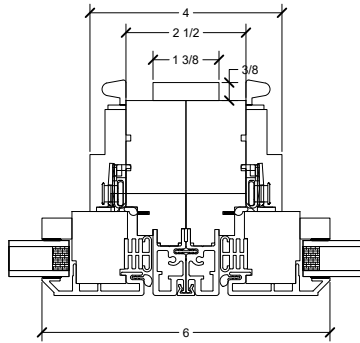
Long Bead Interior SDL—Long Bead Interior Glaze Bead/Bevel Bead Exterior

CLAD Roto Awning

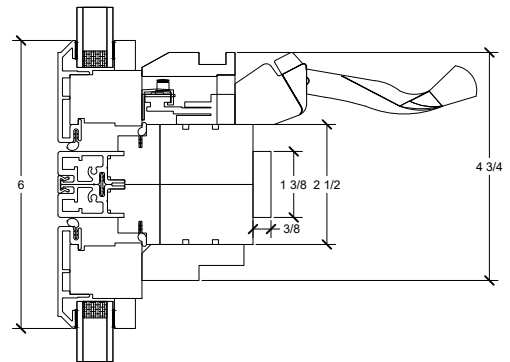
Section Details : Mull Sections, All Jamb

SCALE: 3" = 1'-0"

Mulling Clad Roto Awning to Clad Roto Awning

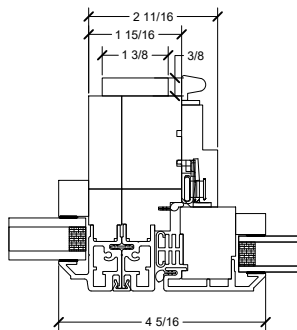


Vertical Mull

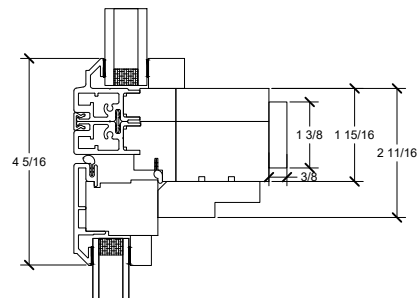


Horizontal Mull

Mulling Clad Picture (Minimum 2 15/16" Jamb) to Clad Roto Awning



Vertical Mull



Horizontal Mull