

# CLAD Roto-Casement-Section Drawings

---



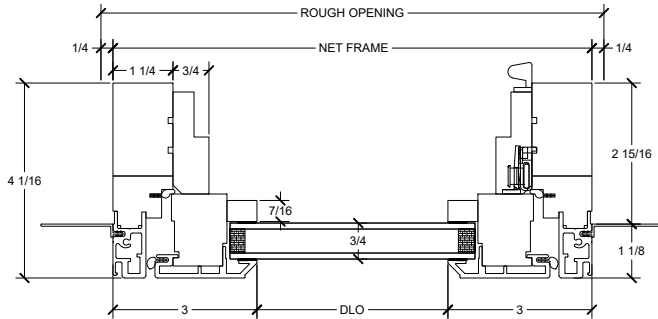
Section Details : Operating/Stationary, Minimum 2 15/16” Jamb, Nail Fin .....	2
Section Details : 4 9/16” Jamb, Nail Fin .....	3
Section Details : 6 9/16” Jamb, Nail Fin .....	4
Section Details : Big Bottom Rail .....	5
Section Details : SDL & Glazing Bead Options .....	6
Section Details : Mull Sections, All Jambs .....	7

## CLAD Roto Casement

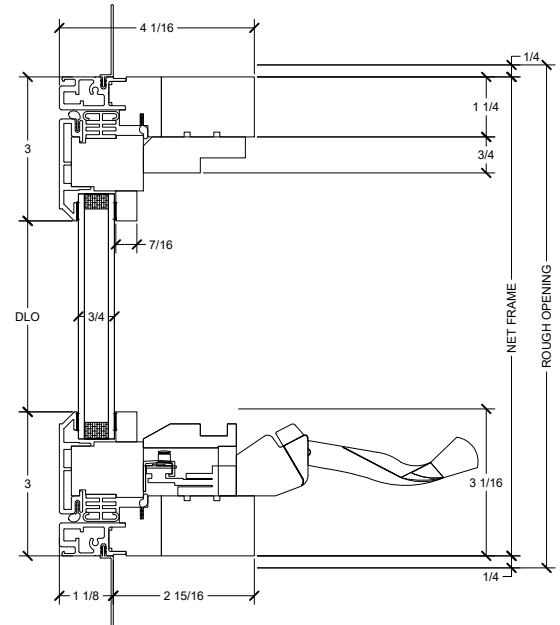
Section Details : Operating/Stationary, Minimum 2  $\frac{15}{16}$ " Jamb, Nail Fin

SCALE: 3" = 1'-0"

### Operating

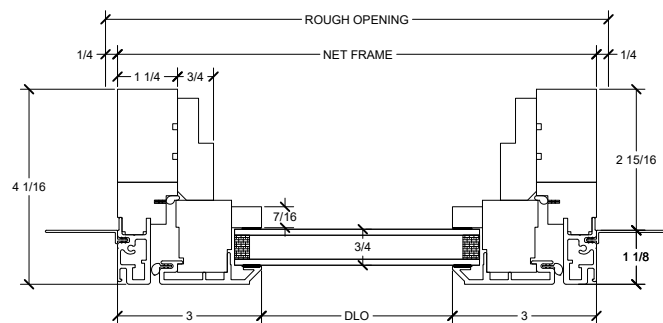


Jambs

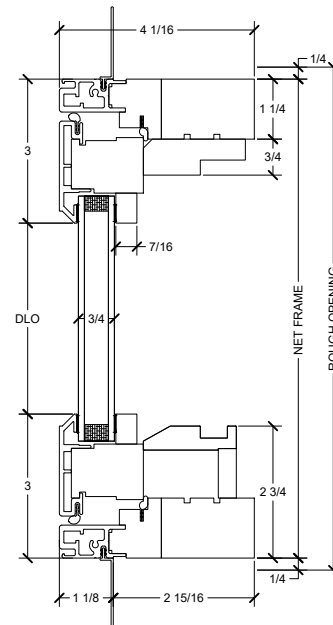


Head Jamb & Sill

### Stationary



Jambs

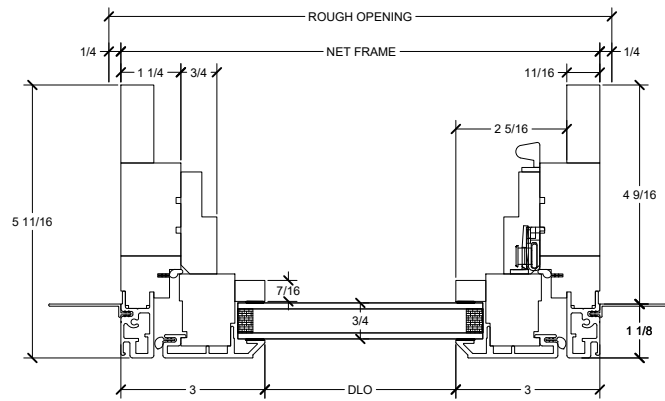


Head Jamb & Sill

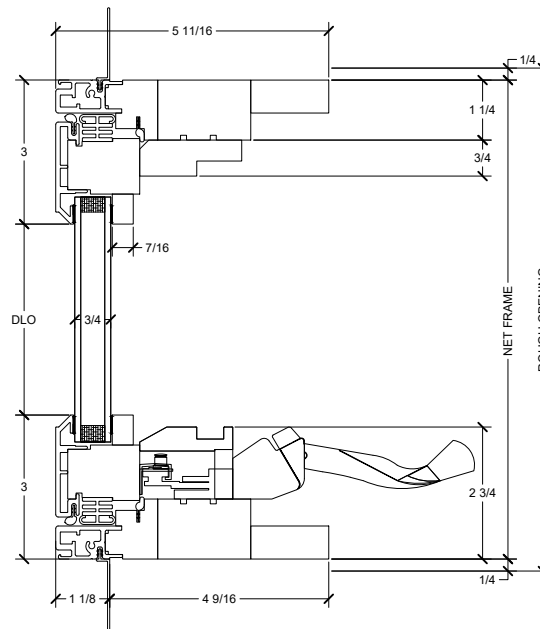
# CLAD Roto Casement

Section Details : 4 9/16" Jamb, Nail Fin

SCALE: 3" = 1'-0"



Jambs

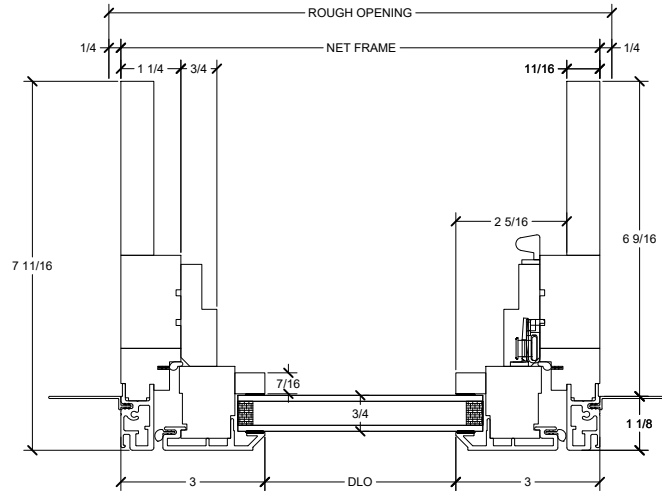


Head Jamb & Sill

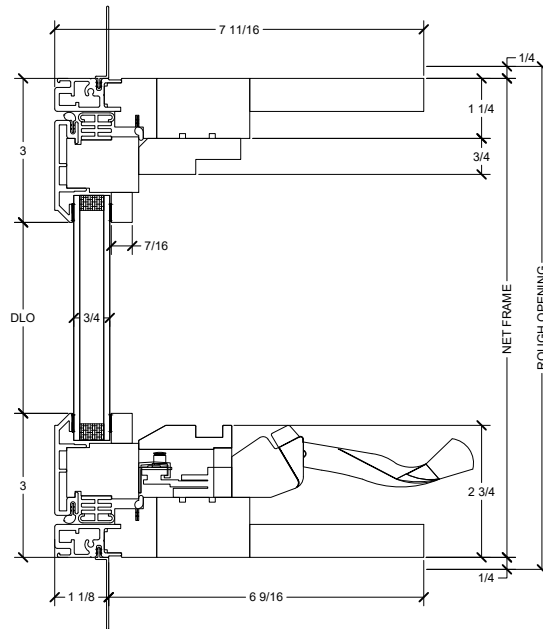
# CLAD Roto Casement

Section Details : 6 9/16" Jamb, Nail Fin

SCALE: 3" = 1'-0"



Jambs

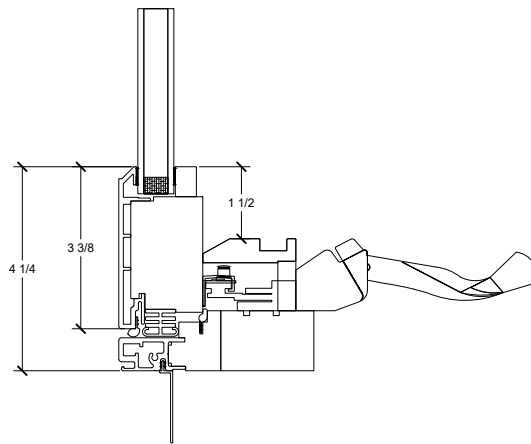


Head Jamb & Sill

# CLAD Roto Casement

## Section Details : Big Bottom Rail

SCALE: 3" = 1'-0"

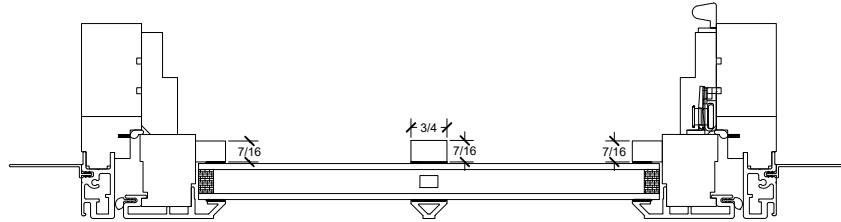


Big Bottom Rail

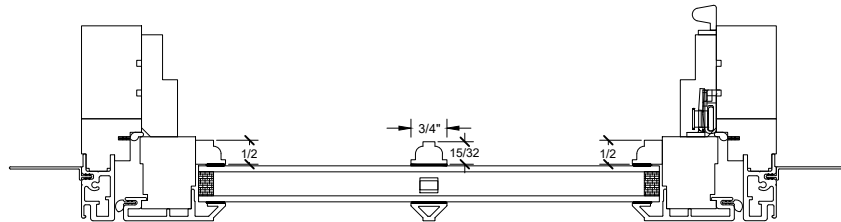
# CLAD Roto Casement

## Section Details : SDL & Glaze Bead Options

SCALE: 3" = 1'-0"



Square Detail Interior SDL—Square Interior Glaze Bead/Bevel Bead Exterior



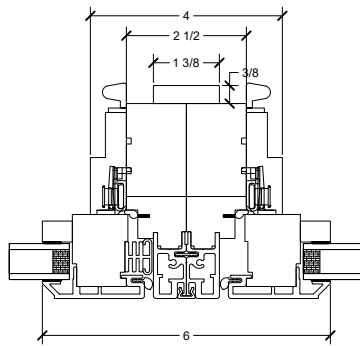
Long Bead Interior SDL—Long Bead Interior Glaze Bead/Bevel Bead Exterior

# CLAD Roto Casement

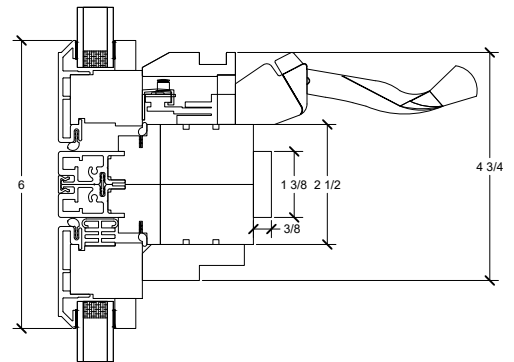
Section Details : Mull Sections, All Jamb

SCALE: 3" = 1'-0"

## Mulling Clad Roto Awning to Clad Roto Casement

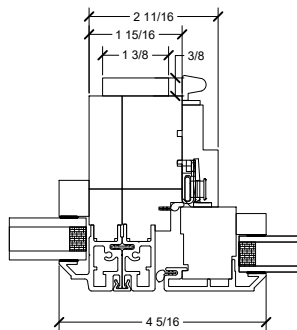


Vertical Mull

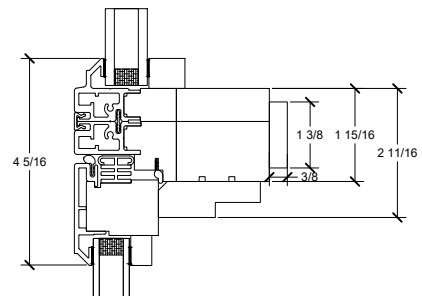


Horizontal Mull

## Mulling Clad Picture (Minimum 2 15/16" Jamb) to Clad Roto Casement



Vertical Mull



Horizontal Mull